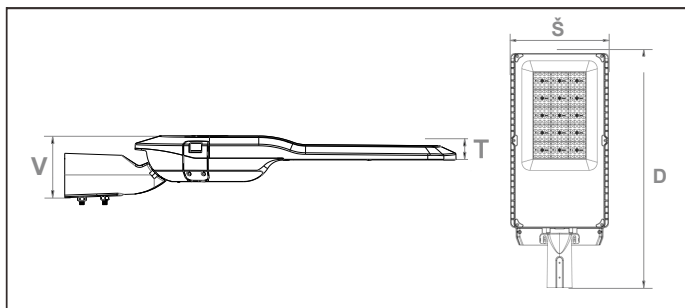




Vlastnosti

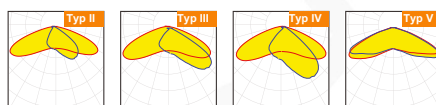
Telo: Hliníkový výlisok
 Tepelná vodivosť: 96 W/m·K
 Led: PHILIPS
 CRI: Ra>70 (80,90 na vyžiadanie)
 CCT: 3000-5700K (voliteľné pri objednávke)
 SDCM: <6
 Power Factor: >0.95
 THD: <15
 Driver: Meanwell XLG
 Driver Efficiency: >90%
 Protection: OTP, OCP, OVP, SCP
 Ochrana pred prepätím: 6KV
 Krytie: IP66
 Mechanická odolnosť: IK08
 Napájanie: 100-277V, 50/60Hz
 Prevádzková teplota: -40~50°C
 TM21: L90B10>50,000H
 Životnosť: 50,000H



Funkcie

DALI 0/1~10V Časovač Program Trvalá prevádzka Prídavný zdroj

Optiky:



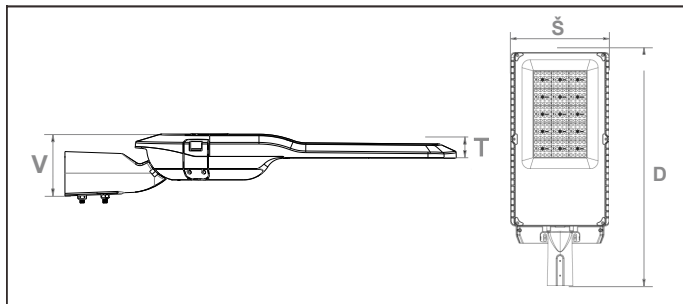
150
~160lm/w

5 YEARS
WARRANTY

Meanwell
Driver

PHILIPS
LED

| Model | Výkon | Napájanie | Lumen | CRI | IP | Rozmery |
|------------|-------|-----------|---------|-----|------|------------------|
| 24ME1H-PM | 24W | 100~277V | 3840LM | >70 | IP66 | D515*Š190*V99mm |
| 40ME1H-PM | 40W | 100~277V | 6400LM | >70 | IP66 | D515*Š190*V99mm |
| 50ME1H-PM | 50W | 100~277V | 7500LM | >70 | IP66 | D515*Š190*V99mm |
| 80ME1H-PM | 80W | 100~277V | 12800LM | >70 | IP66 | D575*Š242*V109mm |
| 100ME1H-PM | 100W | 100~277V | 15000LM | >70 | IP66 | D575*Š242*V109mm |
| 120ME1H-PM | 120W | 100~277V | 18000LM | >70 | IP66 | D615*Š262*V109mm |
| 150ME1H-PM | 150W | 100~277V | 22500LM | >70 | IP66 | D615*Š262*V109mm |
| 180ME1H-PM | 180W | 100~277V | 27000LM | >70 | IP66 | D685*Š287*V109mm |
| 200ME1H-PM | 200W | 100~277V | 30000LM | >70 | IP66 | D685*Š287*V109mm |

**Balenie****Svietidlo**

| Model | Rozmery (mm) | Krabica(mm) | | | Ks / Krabica | Svietidlo | |
|------------|-----------------|-------------|-----|-----|-----------------|-----------|------------|
| | | D | Š | V | | Netto(kg) | Brutto(kg) |
| 24ME1H-PM | 515*190*99 | 587 | 260 | 175 | 1 | 2.40 | 3.00 |
| 40ME1H-PM | 515*190*99 | 587 | 260 | 175 | 1 | 2.40 | 3.00 |
| 50ME1H-PM | 515*190*99 | 587 | 260 | 175 | 1 | 2.40 | 3.00 |
| 80ME1H-PM | 575*242*109 | 646 | 312 | 185 | 1 | 3.60 | 4.40 |
| 100ME1H-PM | 575*242*109 | 646 | 312 | 185 | 1 | 3.60 | 4.40 |
| 120ME1H-PM | 615*262*109 | 686 | 332 | 185 | 1 | 4.05 | 4.80 |
| 150ME1H-PM | 615*262*109 | 686 | 332 | 185 | 1 | 4.05 | 4.80 |
| 180ME1H-PM | 685*287*109 | 766 | 357 | 185 | 1 | 5.30 | 6.50 |
| 200ME1H-PM | 685*287*109 | 766 | 357 | 185 | 1 | 5.30 | 6.50 |

